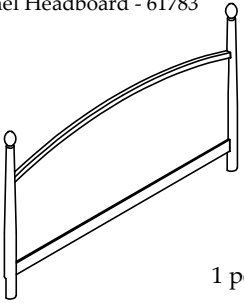


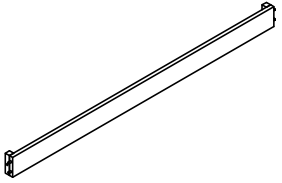
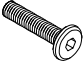


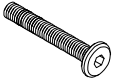





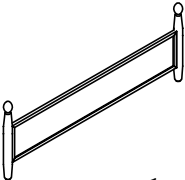
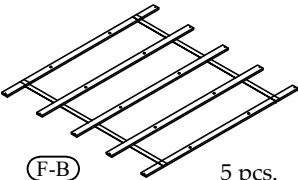

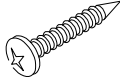

Warning:

- Be sure to check all packing material carefully for small parts, which may have come loose inside the carton during shipment.
- To prevent possible scratches and damage, this furniture **MUST BE ASSEMBLED BY TWO PEOPLE** on a soft surface such as a blanket or carpet.

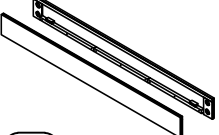


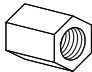


Hardware and Parts packed with the Headboard

<p>King Panel Headboard - 61783</p>  <p>(H-A) 1 pc.</p>	<p>Headboard Post (Left)</p>  <p>(H-B) 1 pc.</p>	<p>Headboard Post (Right)</p>  <p>(H-C) 1 pc.</p>	<p>Headboard Stretcher</p>  <p>(H-D) 1 pc.</p>			
<p>Allen Head Bolt Ø5/16" - 18 x 1-9/16"</p>  <p>(H-E) 6 pcs.</p>	<p>Spring Washer Ø5/16"</p>  <p>(H-F) 6 pcs.</p>	<p>Flat Washer Ø5/16" x Ø19mm</p>  <p>(H-G) 6 pcs.</p>	<p>Allen Head Bolt Ø1/4" - 20 x 2"</p>  <p>(H-H) 2 pcs.</p>	<p>Spring Washer Ø1/4"</p>  <p>(H-I) 2 pcs.</p>	<p>Flat Washer Ø1/4" x Ø16mm</p>  <p>(H-J) 2 pcs.</p>	<p>Allen key 4mm</p>  <p>(H-K) 1 pc.</p>

Hardware and Parts packed with the Footboard

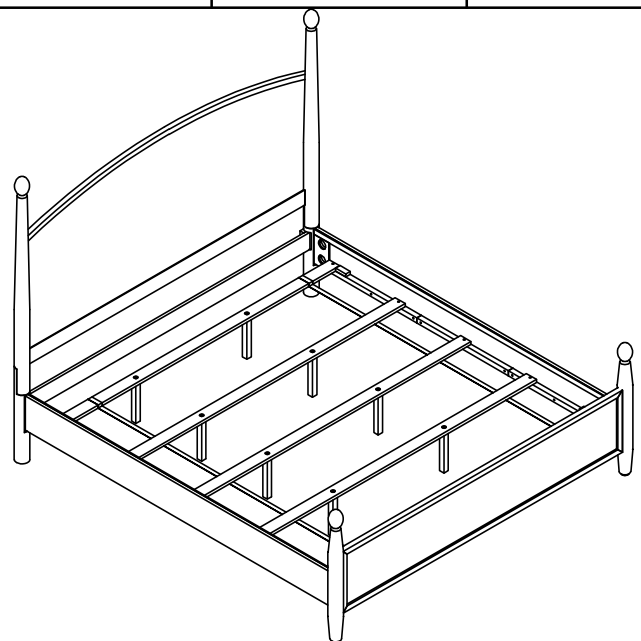
<p>King Panel Footboard - 61781</p>  <p>(F-A) 1 pc.</p>	<p>Wood Slats (77-3/16" long)</p>  <p>(F-B) 5 pcs.</p>	<p>Support leg (9-7/16" x 1-1/4" x 1-1/4")</p>  <p>(F-C) 10 pcs.</p>	<p>Wood Screw Ø4 x 30 (mm)</p>  <p>(F-D) 10 pcs.</p>	<p>Screw Driver (not included)</p> 
--------------------------------------------------------------------------------------------------------------------------------------------	-------------------------------------------------------------------------------------------------------------------------------------------	-------------------------------------------------------------------------------------------------------------------------------------------------------------	-----------------------------------------------------------------------------------------------------------------------------------------------	------------------------------------------------------------------------------------------------------------------------------

Hardware and Parts packed with the Bed Rails

<p>Queen-King Side Rails - 61772</p>  <p>(R-A) 2 pcs.</p>	<p>Curved Washer Ø5/16"</p>  <p>(R-B) 8 pcs.</p>	<p>Spring Washer Ø5/16"</p>  <p>(R-C) 8 pcs.</p>	<p>Hex Nut Ø5/16" x 17mm</p>  <p>(R-D) 8 pcs.</p>	<p>All-Thread Bolt Ø5/16" - 18 x 3-1/8"</p>  <p>(R-E) 8 pcs.</p>	<p>Open Wrench 12 mm</p>  <p>(R-F) 1 pc.</p>
---------------------------------------------------------------------------------------------------------------------------------------------	-----------------------------------------------------------------------------------------------------------------------------------------	-----------------------------------------------------------------------------------------------------------------------------------------	------------------------------------------------------------------------------------------------------------------------------------------	-----------------------------------------------------------------------------------------------------------------------------------------------------------	---------------------------------------------------------------------------------------------------------------------------------------

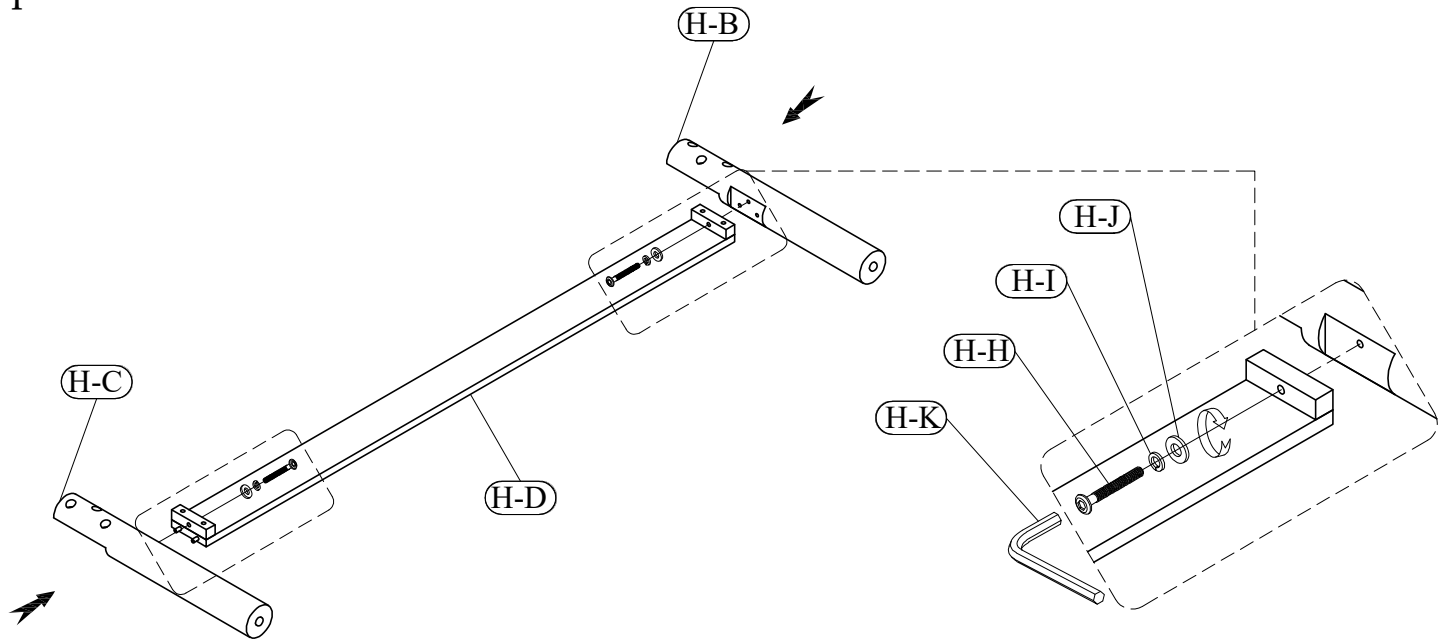
King Uph Bed

- 61783 -- King Panel Headboard
- 61781 -- King Panel Footboard
- 61772 -- Queen-King Side Rails

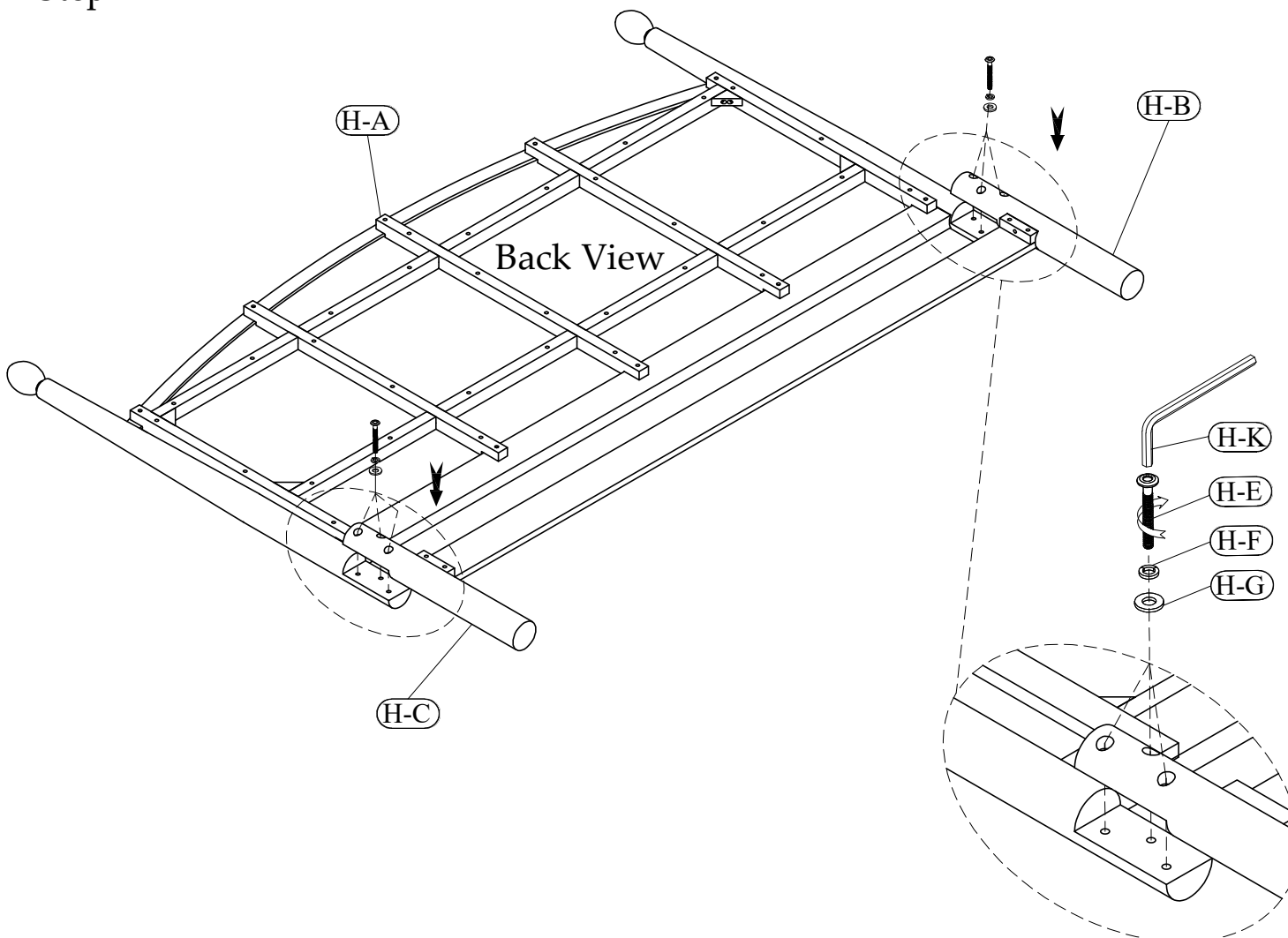


King Panel Bed
61783 -- King Panel Headboard

Step 1

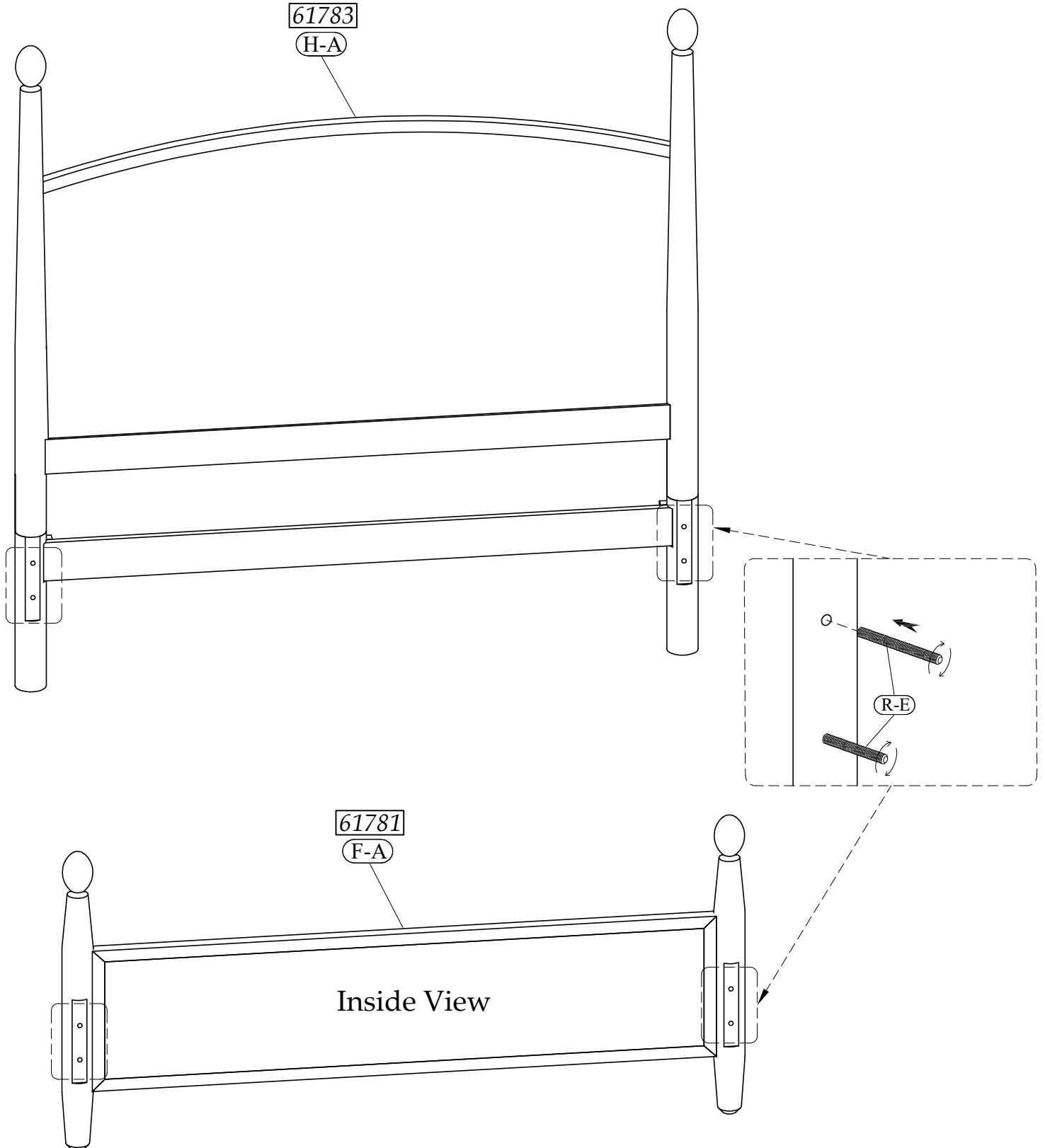


Step 2



King Panel Bed
61783 -- King Panel Headboard
61781 -- King Panel Footboard

Step 3



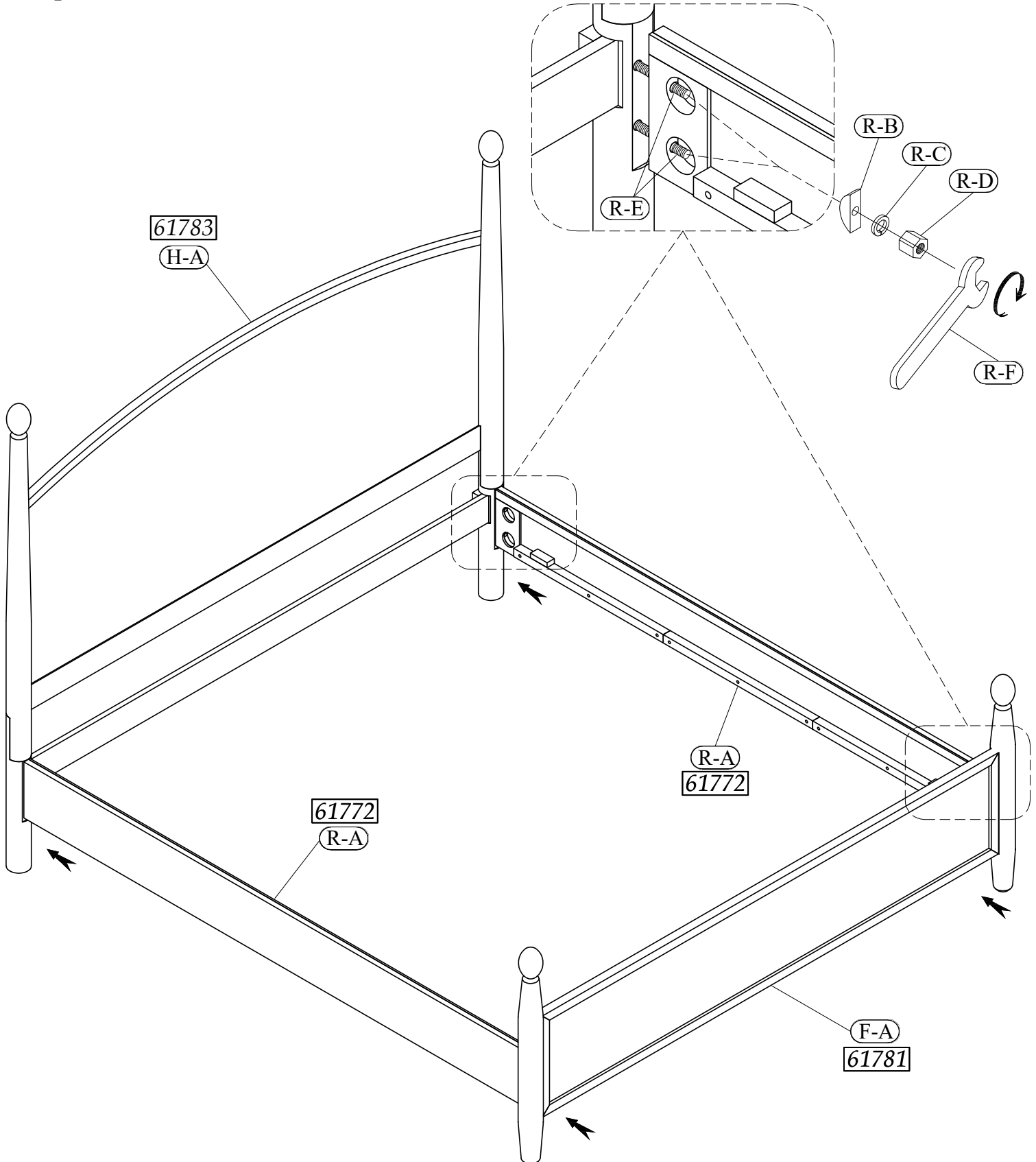
King Panel Bed

61783 -- King Panel Headboard

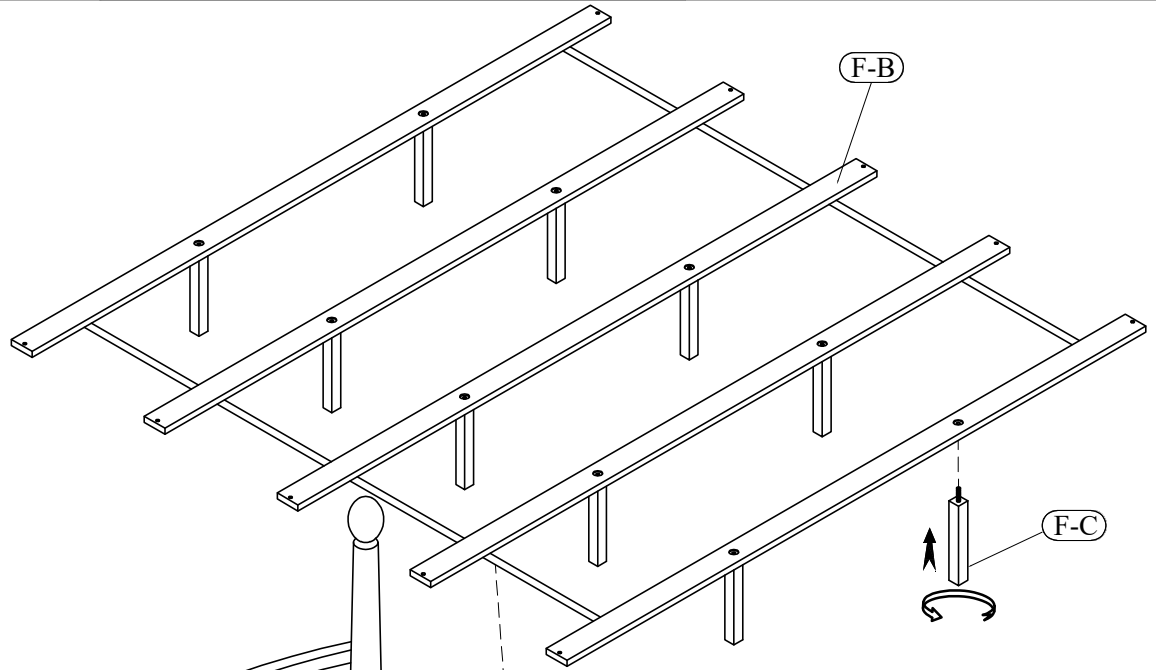
61781 -- King Panel Footboard

61772 -- Queen-King Side Rails

Step 4



Step 5



Step 6

